

**The right way to attach almost anything to metal roofs!**

# S-5!<sup>®</sup>

## The Right Way!

### S-5-V Clamp

The S-5-V clamp is a versatile clamp that fits vertical-folded seam profiles manufactured in North America—including most structural and architectural profiles.

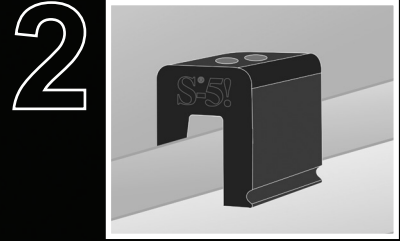
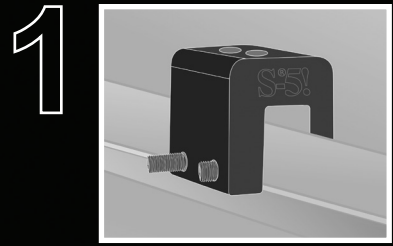
Its simple design and generous dimensioning are what make the S-5-V clamp so versatile for use with the S-5!<sup>®</sup> snow retention products, such as ColorGard<sup>®</sup>, as well as with other heavy-duty applications.

Installation is as simple as setting the patented round-point setscrews into the clamp, placing the clamp on the seam, and tightening them to the specified tension. Then, affix ancillary items using the stainless steel bolt provided with the product. Go to [www.S-5.com/tools](http://www.S-5.com/tools) for information and tools available for properly attaching and tensioning S-5! clamps.

### S-5-V Mini Clamp

The S-5-V Mini is a bit shorter than the S-5-V and has one setscrew rather than two. The mini is the choice for attaching all kinds of rooftop accessories: signs, walkways, satellite dishes, antennas, rooftop lighting, lightning protection systems, solar arrays, exhaust stack bracing, conduit, condensate lines, mechanical equipment—just about anything!\*

\*S-5! mini clamps are not compatible with, and should not be used with S-5! SnoRail™/SnoFence™ or ColorGard<sup>®</sup> snow retention systems.



The S-5-V clamp is a versatile clamp, fitting most of the vertical standing seam profiles in North America.

+506 8724-0340 | [www.cielovivo.co.cr](http://www.cielovivo.co.cr)

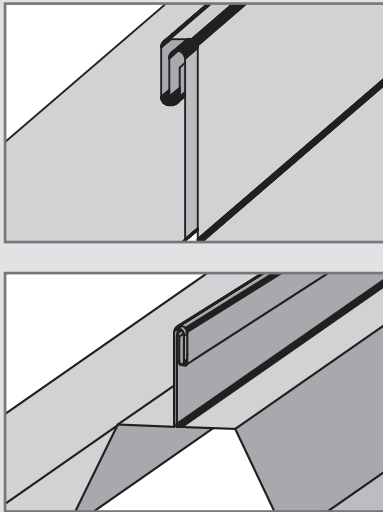
S-5-V and S-5-V Mini

The strength of the S-5-V clamp is in its simple design. The patented setscrews will slightly dimple the metal seam material but not pierce it—leaving the roof manufacturer's warranty intact.

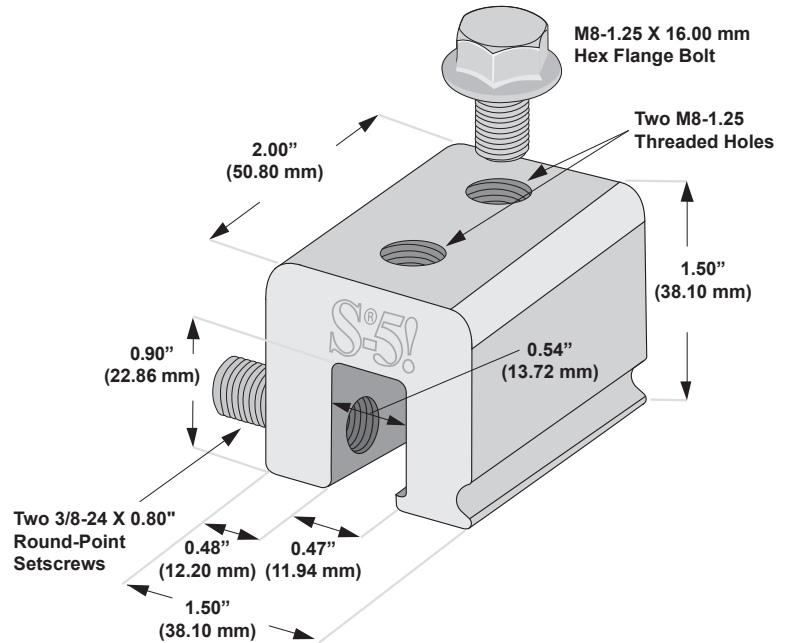
The **S-5-V** and **S-5-V Mini clamps** are each furnished with the hardware shown to the right. Each box also includes a bit tip for tightening setscrews using an electric screw gun. A structural aluminum attachment clamp, the S-5-V is compatible with most common metal roofing materials excluding copper. All included hardware is stainless steel. Please visit [www.S-5.com](http://www.S-5.com) for more information including CAD details, metallurgical compatibilities, and specifications.

The S-5-V clamp has been tested for load-to-failure results on most major brands and profiles of standing seam roofing. The independent lab test data found at [www.S-5.com](http://www.S-5.com) can be used for load-critical designs and applications. S-5!<sup>®</sup> holding strength is unmatched in the industry.

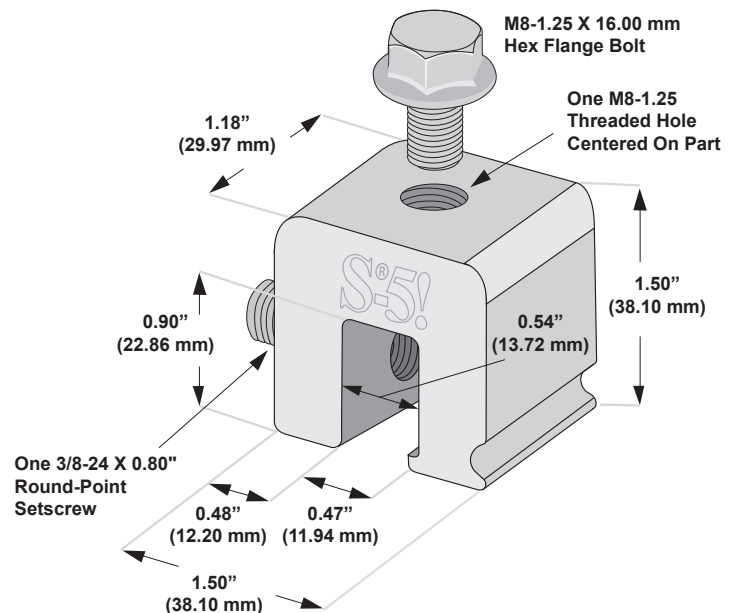
## Example Profiles



## S-5-V Clamp



## S-5-V Mini Clamp



### S-5!<sup>®</sup> Warning! Please use this product responsibly!

Products are protected by multiple U.S. and foreign patents. Visit the website at [www.S-5.com](http://www.S-5.com) for complete information on patents and trademarks. Consult the S-5!<sup>®</sup> website at [www.S-5.com](http://www.S-5.com) for published data regarding installation instructions and holding strength.

Copyright 2015, Metal Roof Innovations, Ltd. S-5!<sup>®</sup> products are patent protected. S-5!<sup>®</sup> aggressively protects its patents, trademarks, and copyrights. Version 052115.

Distributed by

Cielo Vivo  
 Cell: +506 8724-0340  
[ventas@cielovivo.co.cr](mailto:ventas@cielovivo.co.cr)

